

Premium Preparation 1200 mm Meat & Fish Processing/ Washing Table

ITEM # _____

MODEL # _____

NAME # _____

SIS # _____

AIA # _____


132962 (TLC1210PN)

 Meat and Fish Processing/
Washing Table with
perforated and removable
Plates, knife holder,
polythene cutting board,
drain, scraping hole and
upstand, 1200mm

Short Form Specification

Item No. _____

50mm high worktop in 304 AISI stainless steel, 1,5mm in thickness, sound-deadened, anti-drip edges and welded corners. Integral radiused rear upstand, h=100mm with 10mm radius. All-round apron. Round section legs and feet in 304 AISI stainless steel, 50mm in diameter. N.1 polythene cutting board 730x225x25h mm, drain and waste scraping hole on front.

Main Features

- Sturdiness, stability and reliability of table accurately tested.

Construction

- Table can be equipped with a mobile bin with lid for waste disposal (optional accessory).
- Round section legs with feet in 304 AISI stainless steel, 50 mm in diameter, adjustable in height by +0/-40 mm.
- Unit features a 20 mm deep recessed surface, a polythene cutting board and a scraping hole on the front, perforated and sectionated removable tops, an easily removable GN liquid container and a knife holder. Knife sanitizer can be supplied as optional.

Optional Accessories

- Single drawer GN 1/1, 400mm PNC 855280
- Single drawer, 600mm PNC 855281
- Lower shelf for 1200mm for units PNC 855282
- Set of 4 wheels (2 with brake) d. 100mm PNC 855288
- 3-sided underframe for 1200mm tables PNC 855290
- Additional drawer, 600mm (to set up a chest of 2, 3, 4 drawers) PNC 855295
- Additional drawer GN 1/1, 400mm (to set up a chest of 2, 3, 4 drawers) PNC 855298
- Elbow operated mixer tap with spout 3/4", single hole PNC 855322
- Elbow operated mixer tap with short spout 3/4", single hole PNC 855323
- Foot operated mixer tap (hot and cold) with spout 3/4" PNC 855328

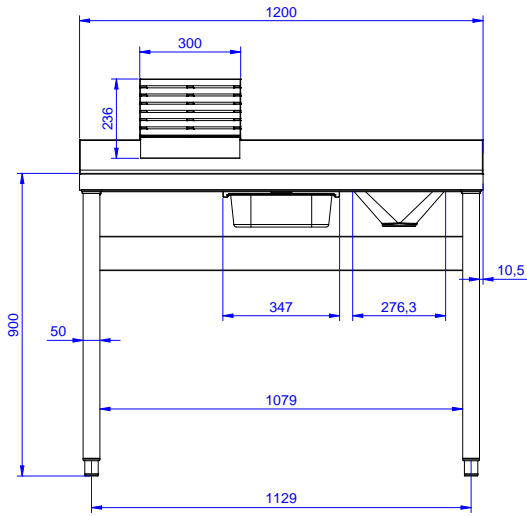
APPROVAL: _____



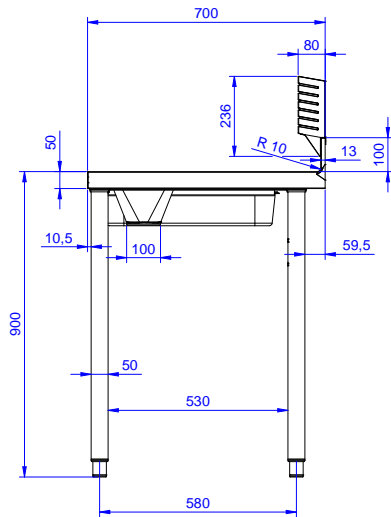
Electrolux
PROFESSIONAL

Premium Preparation 1200 mm Meat & Fish Processing/ Washing Table

Front

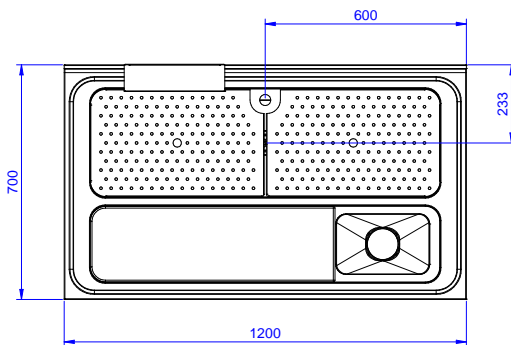


Side



D = Drain

Top



Premium Preparation
1200 mm Meat & Fish Processing/Washing Table

The company reserves the right to make modifications to the products without prior notice. All information correct at time of printing.

2025.04.20



Electrolux
PROFESSIONAL

Premium Preparation 1200 mm Meat & Fish Processing/ Washing Table

Key Information:

External dimensions,
Width:

132962 (TLC1210PN) 1200 mm

External dimensions,
Depth:

700 mm

External dimensions,
Height:

1000 mm

Upstand Dimensions,
Height:

100 mm

Upstand Dimensions,
Depth:

13 mm

Upstand Dimensions,
Radius:

R=10

Bowls number

1

Bowl dimensions

1070x320xH180

Worktop thickness:

50 mm

Net weight:

40 kg



Premium Preparation
1200 mm Meat & Fish Processing/Washing Table

The company reserves the right to make modifications to the products
without prior notice. All information correct at time of printing.

2025.04.20